

SolidSteel parametric

for **SOLIDWORKS**

SolidSteel parametric for SOLIDWORKS

Discover the new version 4.0.0

SolidSteel parametric 4.0 improves some already existing functions and adds new, general functions.

This is primarily in response to feedback from various SolidSteel parametric users, and improvements and adjustments based on user feedback are also planned for the next updates.

Table of contents

- 02 New Feature: Curved profiles
- 02 New Feature / Feature Update: Facade and roof module
 - 02 New Feature: Roof extensions (facade module)
 - 03 Creating, editing and deleting facade and roof elements
 - 03 New Feature: Edge sheets
- 04 New Feature: Context menus
- 04 New Feature: Equal part detection directly in the design
- 04 Feature Update: Extension of the gusset plate function
- 05 Feature Update: Todo-Manager
- 05 Feature Update: Redesign of the visual appearance
- 05 Feature Update: Changing manual boltings
- 06 Other bugfixes
- 06 Important Notes
- 06 Social Media
- 07 How to get our software

 Stay up-to-date with our newsblog

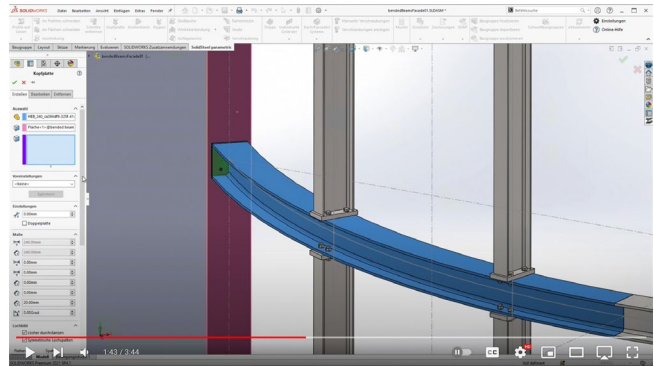


New Feature: Curved profiles

In addition to the familiar placement of profiles on straight lines as well as from point to point, in the new SolidSteel parametric version 4.0.0 profiles can now also be placed on circular arcs as well as on arced lines. Of course, these profiles can be offset, extended or shortened and rotated parallel to the line using the usual placement options of SolidSteel parametric.

In addition to surface and miter cutting, End Plates, Miter Plates and Ribs in curved profiles are of course also supported. Other connections adjacent to the bent profiles will also work perfectly, so long as the connection type is suitable.

In subsequent processes such as the equal part detection, the BOMs (unwound length) as well as the NC data (machining in straight parts), the curved profiles are considered accordingly.



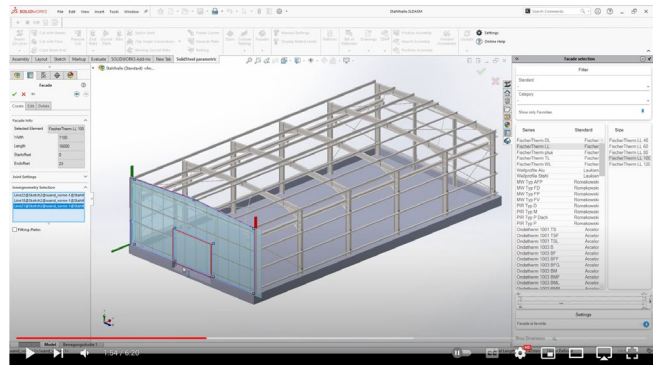
Watch video on YouTube:

<https://youtu.be/hJkqgEoM9iw>



New Feature / Feature Update: Facade and roof module

With the SolidSteel parametric facade module, from an extensive library facade and roof elements can be placed, modified, deleted, edited and cut with just a few clicks.



Watch video on YouTube:

<https://youtu.be/Px36F3ACpZY>



New Feature: Roof extensions (facade module)

The roof extension can be used to extend an already existing roof surface to a second, adjoining roof surface.

Not only are all properties such as profile types and offsets adopted, but transitions between the two roof surfaces are also created automatically.



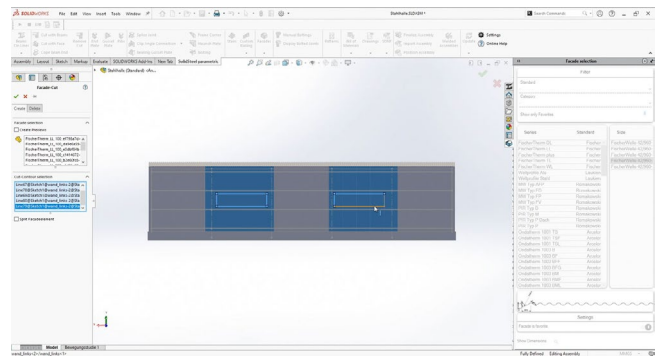
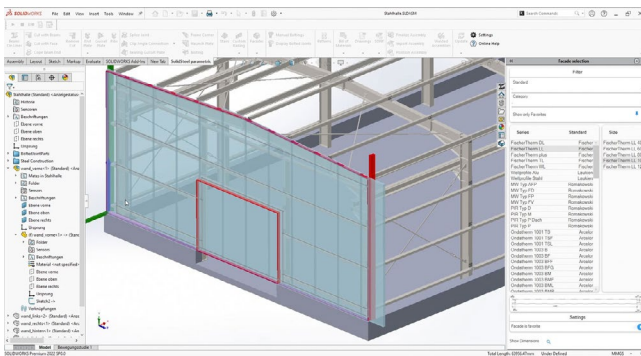
Creating, editing and deleting facade and roof elements

The Facade and Roof Elements function can be used to place facade elements and roof elements in the 3D model.

First, the size and series to be placed in the further process are selected from the extensive and expandable library. Then the orientation of the facade is defined and the area to be covered by the elements is selected. Afterwards, a preview appears directly if desired. In addition, of course, offsets can be set, sections and cutouts can be defined and optional longitudinal joints can be set.

Of course, overlaps of elements can already be defined during the construction, which can be transferred to subsequent elements.

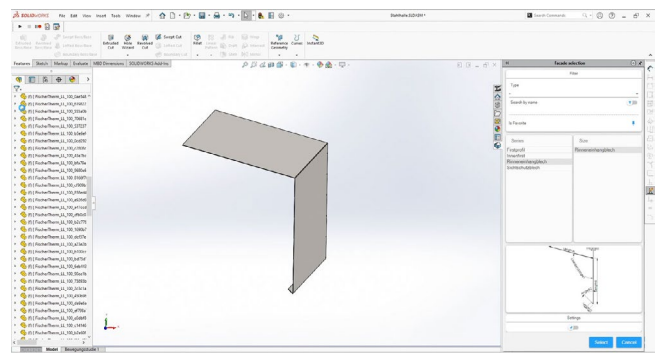
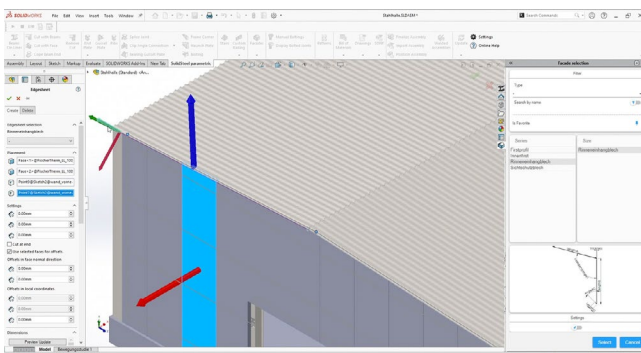
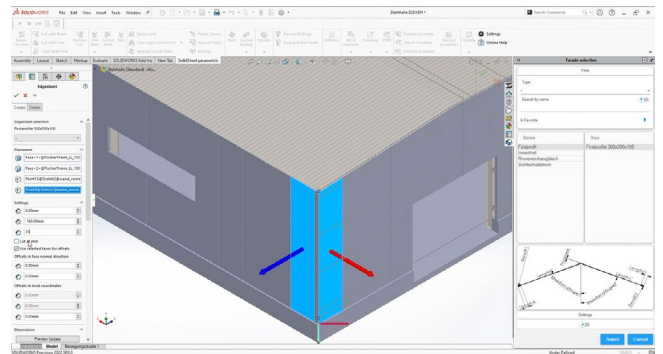
As in all current SolidSteel parametric functions, the facade and roof elements can of course also be edited and deleted via convenient menus.



New Feature: Edge sheets

Although the new feature „Edge sheets“ is located in the Facade module, it is of course available to all users with SolidSteel parametric Design Package or Productivity Package. This function allows you to place profile-like bent sheets with an angle as a degree of freedom.

An example would be an eave sheet as a transition between roof and wall elements. This sheet always looks the same in principle, but must be adjusted accordingly due to the roof pitch. By selecting both surfaces, this takes over the edge sheet function and enables the placement of sheet metal templates in different installation situations.

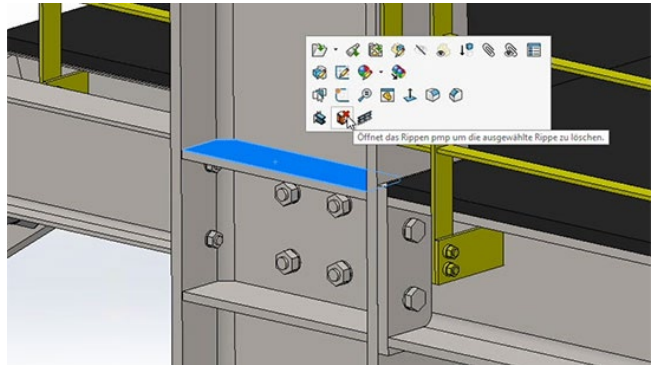


New Feature: context menus

With SolidSteel parametric 4.0 the usual SolidWorks context menus are also available for SolidSteel.

Depending on the selected reference, relevant functions can be accessed directly in the 3D view of SOLIDWORKS.

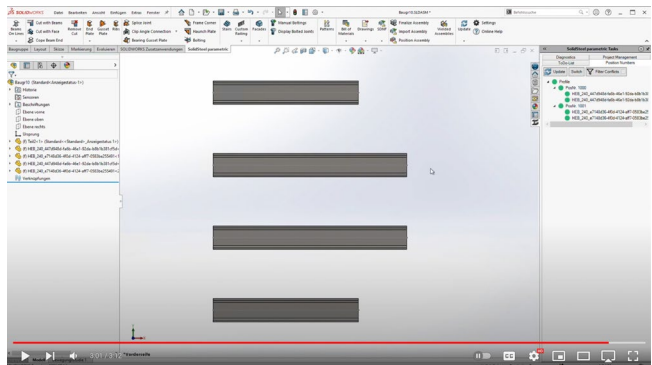
Afterwards the corresponding dialog opens, where the selection fields are already filled, as far as the context allows it.



New Feature: Equal part detection in the design

With the new function „Finalize assembly“ SolidSteel parametric parts of all types with identical geometry are summarized.

The consequence is that afterwards for all identical parts only one reference part (main part) exists in the assembly and all other identical parts are instances of this main part. The location of this reference part can be defined in the Path selection area.



The function of the equal part detection is shown in the video starting at 1:50: <https://youtu.be/H6MboqJV0Gc?t=110>

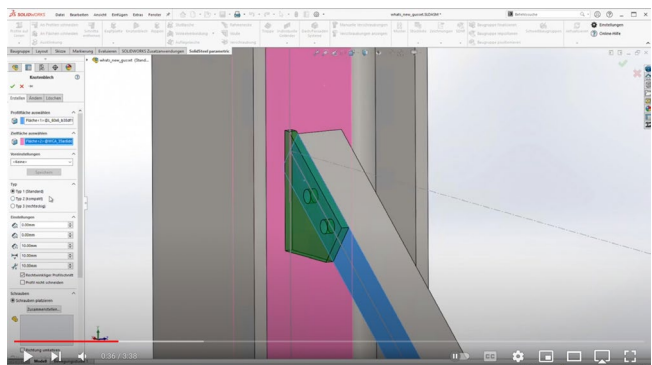


Feature Update: Extension of the gusset plate function

A new function in the gusset plate is the option of clipping the gusset plate at the pointed ends. The clipping is carried out perpendicular to the welded connection surface, and the distance of the clipping can be selected individually.

In addition to the clipping, the area for the holes has also been revised. In the new dialog, the difference between rows and columns is better recognizable thanks to a different division and labeling. In addition, the limit for drill holes (3 for columns, 2 for rows) has been removed. Any number of holes can now be placed in a gusset plate.

The new gusset plate PMP receives all inputs as long as the pin is set. This allows significantly faster work with gussets.



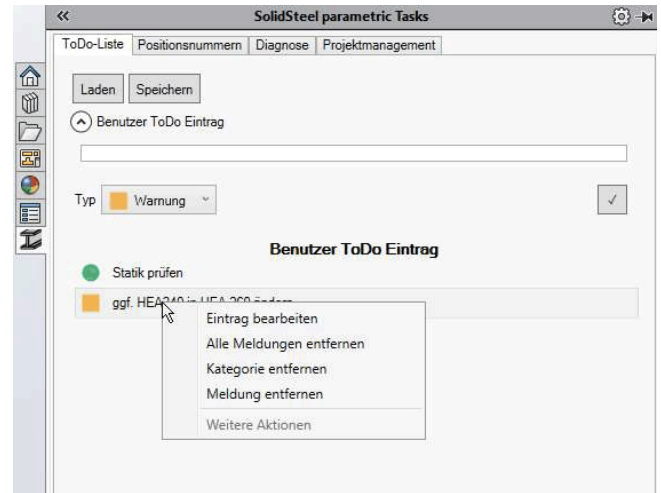
Watch video on YouTube:
<https://youtu.be/mPaT1CdFSdc>

Feature Update: Todo-Manager

The functionality of the Todo-Manager, which was mainly limited to deleting parts and messages so far, has been significantly extended in SolidSteel parametric 4.0. Whereas up to now only errors (e.g. update failed) or warnings (e.g. adjust the corresponding connections after changing a profile) were displayed in the Todo-Manager, the new version adds the possibility of individual, user-defined messages.

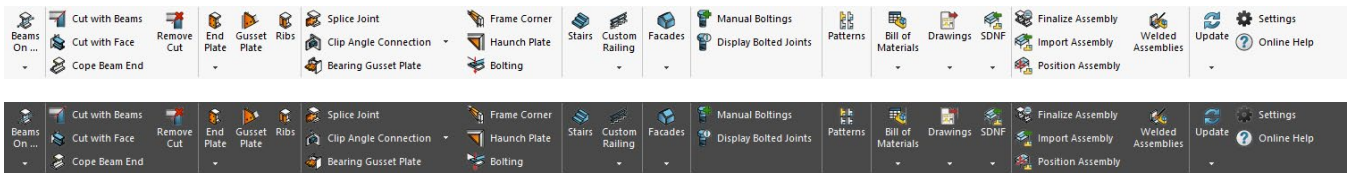
The user defined Todo's can be used, for example, to attach notes about necessary changes directly to the corresponding components.

In addition, the corresponding components can be selected, deleted and edited via the Todo-Manager.



Feature Update: Redesign of the visual appearance

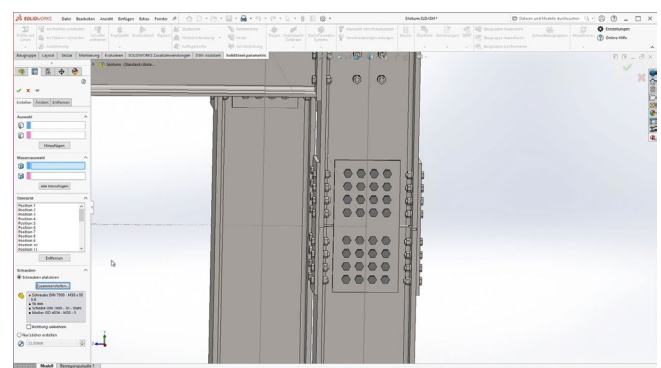
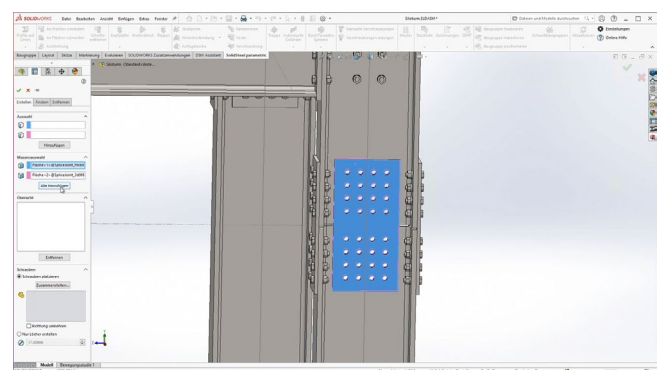
All icons of SolidSteel parametric have been revised and now fit much more pleasantly into the usual SOLIDWORKS look and now also support the dark mode.



Feature Update: Changing manual boltings

The dialog for manual boltings has been extended by a change function.

Until now, bolts could only be placed or deleted via the dialog. In contrast to creating, when changing a screw connection, it is not the holes or the corresponding surfaces that are selected, but the component containing a screw connection.



Other bugfixes

- Modifications to flights of stairs don't break attached connections anymore, unless the type or series of the stringer beams is changed.
- Proper warnings are now displayed when no preview binding components are found.
- A problem with reading certain custom properties from beam tables was fixed.
- Most connections and the creation of bills of materials should now work with beams whose construction lines are missing.
- Crashes when selecting nothing in the preset combobox were fixed.
- The incorrect position of certain half ribs was fixed.
- Selectionbox focus issues in the custom railing dialog were fixed.
- The profile manager service doesn't block the SOLIDWORKS journal file anymore.



Important Notes

New passwords are required for the installation.
You can obtain the new passwords from:

- the [Klietsch PasswordCenter](#) (if you are a direct customer)
- from the sales partner that you bought the product from.

Please request „Update Passwords“ for a version update.

Please add the update passwords to the license file.
Together with the existing passwords the new version will be unlocked.

DSTV Assistant users will have to update it to V 2.0.0 to ensure proper function with SolidSteel parametric V 4.0.0.

Informative and fast

The fastest and most interactive way to stay in touch with us and our software is via our social media channels on LinkedIn and Facebook or via our YouTube channel. There you will be constantly informed about software updates, new features or promotions.

Apps for SOLIDWORKS by Klietsch
on Facebook:



Apps for SOLIDWORKS by Klietsch
on LinkedIn:



Apps for SOLIDWORKS by Klietsch
on YouTube:



How to get our software

All of our Apps for SOLIDWORKS are sold both directly by us as the manufacturer and also by SOLIDWORKS resellers (VAR) in order to offer you, the customer, the best possible support.



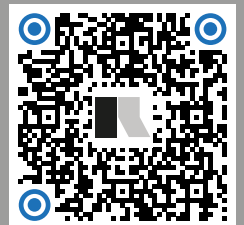
Currently there are resellers in the countrys marked darker in the world map above, which are:
Argentina, Australia, Austria, Bosnia & Herzegovina, Canada, China, Colombia, Croatia, France, Germany, Greece, Hong Kong, Hungary, Italy, Poland, Portugal, Slovakia, Slovenia, Switzerland, Turkey, USA, Vietnam...

Your country is not listed?

Like to see a complete list of resellers?

You want to become a reseller?

Please contact us via solidworks@solidsteel.de,
visit our website www.klietsch.com or simply scan
the QR code.





KLIETSCH
INGENIEURGEMEINSCHAFT

Königstraße 25
D-57078 Siegen
(Germany)

Phone: +49 271 23167 0
Web: www.klietsch.com